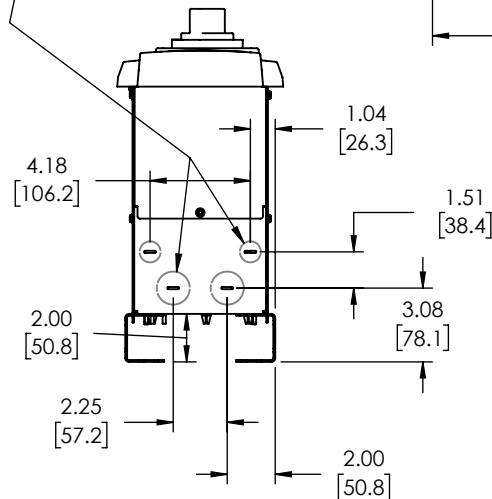


Ø .875 & Ø 1.375 KNOCK-OUTS FOR BOTTOM CONDUIT ENTRANCE



Ø .875 & Ø 1.375 KNOCK-OUTS FOR SIDE CONDUIT ENTRANCE (BOTH SIDES)

- NOTES:
- A. FOR REFERENCE UNLESS PROPERLY ENDORSED. FOR ADDITIONAL DETAILS AND SPECIFICATIONS, CONSULT YASKAWA AMERICA, INC.
 - B. DIMENSIONS ARE IN INCHES [MILLIMETERS].
 - C. USE APPROPRIATE TYPE RATED HUBS OR FITTINGS TO MAINTAIN ENCLOSURE RATING.

| | | | | | |
|---|---------------------------------------|----------------------------|---|------------------------|------------------------|
| YASKAWA <small>THIS DOCUMENT AND INFORMATION CONTAINED IN IT ARE CONFIDENTIAL AND CANNOT BE COPIED OR DISCLOSED IN WHOLE OR IN PART WITHOUT THE EXPRESS WRITTEN CONSENT OF YASKAWA AMERICA INC.</small> | ORIGINAL DESIGN: D. Dahlman | DATE: 08/21/2018 | TITLE: DIMENSION DRAWING, HV600, O/U, BYPASS, W1 | | |
| | DRAWN: D. Dahlman | DATE: 01/22/2020 | | | |
| | CHECKED: D. Guckenberger | DATE: 01/23/2020 | SIZE: A | REVISION: 00 | PAGE: 1 OF 1 |
| | APPROVED: K. Flierl | DATE: 01/30/2020 | DRAWING #: | | |
| UNITS: INCHES | SCALE: NONE | DD.HB.1.W1.01 | | | |